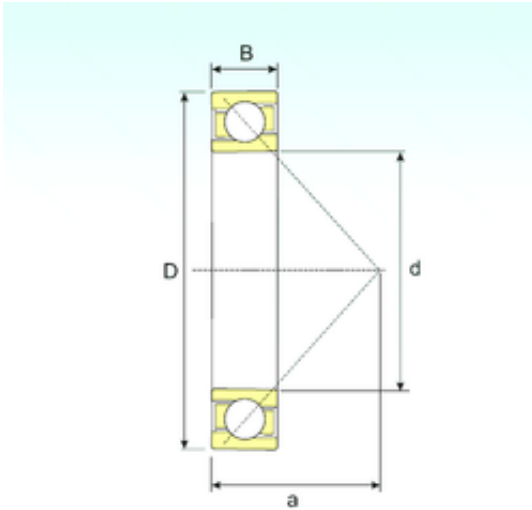




## NTN DRIVESHAFT ANDERSON, INC.



71984 B Bearing 2D drawings and 3D CAD models

420 mm x 560 mm x 65 mm ISB 71984 B angular contact ball bearings

Bearing No. 71984 B

Size	420x560x65 mm
Bore Diameter	420 mm
Outer Diameter	560 mm
Width	65 mm
d	420 mm
D	560 mm
B	65 mm
C	65 mm
a	44,5 mm
Weight	239 Kg
Basic dynamic load rating (C)	364 kN
Basic static load rating (C0)	510 kN
(Grease) Lubrication Speed	810 r/min