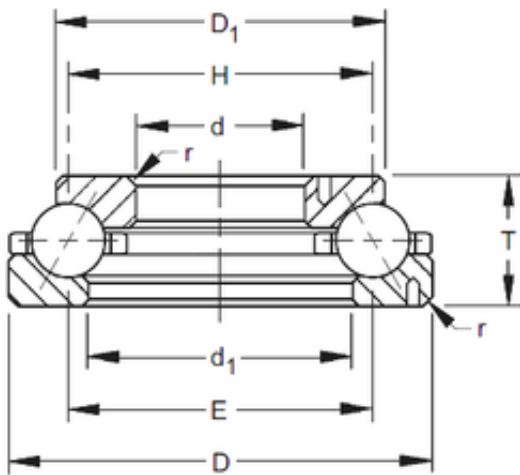




NTN DRIVESHAFT ANDERSON, INC.



Timken 245TVL612 angular contact ball bearings

Bearing No. 245TVL612

Size	622.3x831.85x117.475 mm
Bore Diameter	622,3 mm
Outer Diameter	831,85 mm
Width	117,475 mm
d	622,3 mm
D	831,85 mm
T	117,475 mm
d1	679,45 mm
D1	742,95 mm
E	727,1 mm
H	727,1 mm

245TVL612 Bearing 2D drawings and 3D CAD models