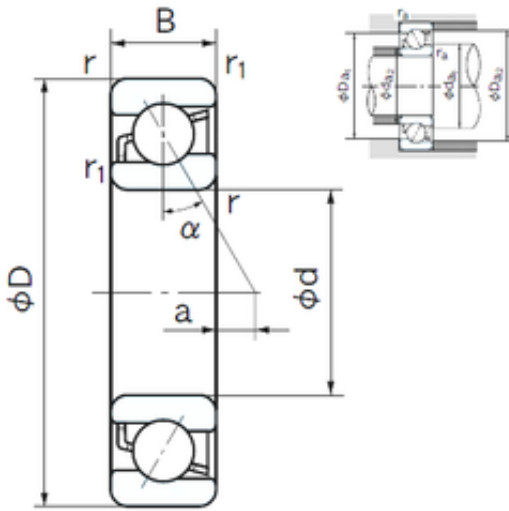




# NTN DRIVESHAFT ANDERSON, INC.



70 mm x 150 mm x 35 mm NACHI 7314  
angular contact ball bearings

Bearing No. 7314

7314 Bearing 2D drawings and 3D CAD models

Size	70x150x35 mm
Bore Diameter	70 mm
Outer Diameter	150 mm
Width	35 mm
d	70 mm
D	150 mm
B	35 mm
C	35 mm
Angle ( ° )	30 °
a	14.3 mm
r min.	2.1 mm
r1 min.	1.1 mm
da min.	82 mm
Da max.	138 mm
ra max.	2 mm
Weight	2.70 Kg
Basic dynamic load rating (C)	125 kN
Basic static load rating (C0)	94 kN
(Grease) Lubrication Speed	4000 r/min
Configuration	Single Row
Enclosure	Open
Bore Type	Cylindrical Bore
Bore Size	70 mm
Outside Diameter	150 mm
Width	35 mm



## NTN DRIVESHAFT ANDERSON, INC.

Fillet Radius/Chamfer	2.1 mm
r1	1.1 mm
Dynamic Load Rating	125,000 N
Static Load Rating	94,000 N
Limiting Speed - Grease	4,000 rpm
Limiting Speed - Oil	5,300 rpm
da1 (min)	82 mm
da2 (min)	77 mm
Da1 (max)	138 mm
Da2 (max)	143 mm
ra (max)	2 mm
ra1 (max)	1 mm