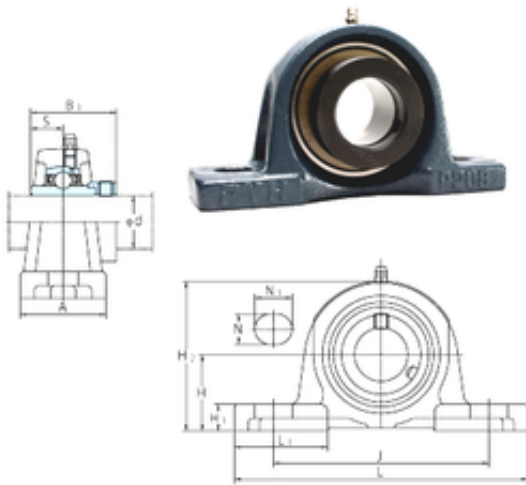




NTN DRIVESHAFT ANDERSON, INC.

FYH NAP215 bearing units



Bearing No. NAP215

Bore Diameter	75 mm
Width	82,6 mm
d	75 mm
A	74 mm
B1	92,1 mm
H	82,6 mm
H1	28 mm
H2	162 mm
J	217 mm
L	275 mm
L1	80 mm
N	25 mm
N1	30 mm
S	37,3 mm
Bolt (G)	M20
Weight	7,9 Kg
Basic dynamic load rating (C)	67,4 kN
Category	Mounted Units & Inserts
Inventory	0.0
Manufacturer Name	FYH BEARING UNITS
Minimum Buy Quantity	N/A
Weight / Kilogram	0
Product Group	M06110

NAP215 Bearing 2D drawings and 3D CAD models