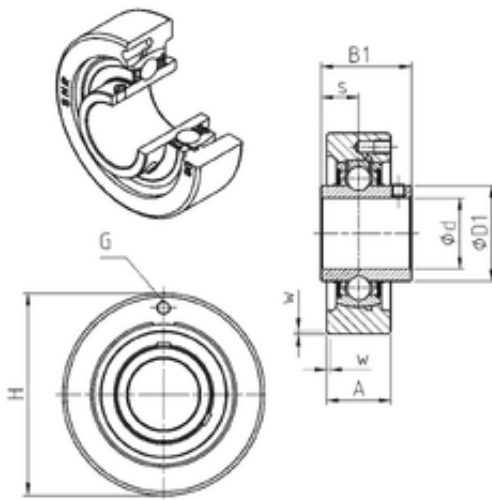




# NTN DRIVESHAFT ANDERSON, INC.



UCC312 Bearing 2D drawings and 3D CAD models

## SNR UCC312 bearing units

Bearing No. UCC312

Bore Diameter	60 mm
d	60 mm
s	26 mm
A	46 mm
B1	71 mm
D1	81 mm
H	160 mm
W	3,5 mm
Thread (G)	M6x1
Weight	4,7 Kg
Basic dynamic load rating (C)	81,6 kN
B	71 mm
A3	3.5 mm
A5	45 mm
G	M6x1
s1	35.5 mm
S	26 mm
SW	6 mm
C	81.6 kN
C0	51.8 kN
T min.	-20 ° C
T max.	100 ° C
Recommended tightening torque for set screw	33 Nm
Designation of housing	C312-
Designation of bearing	UC312G2



# NTN DRIVESHAFT ANDERSON, INC.