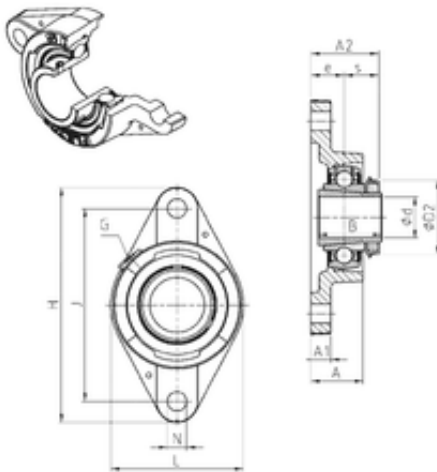




# NTN DRIVESHAFT ANDERSON, INC.

## SNR UKFLE209H bearing units

Bearing No. UKFLE209H



UKFLE209H Bearing 2D drawings and 3D CAD models

Bore Diameter	40 mm
d	40 mm
e	24 mm
s1	26 mm
A	37,5 mm
A1	13 mm
B	50 mm
D2	65 mm
H	180 mm
J	148,5 mm
L	111 mm
N	14 mm
Thread (G)	R1/8"
A2	50 mm
Weight	1,9 Kg
Basic dynamic load rating (C)	31,85 kN