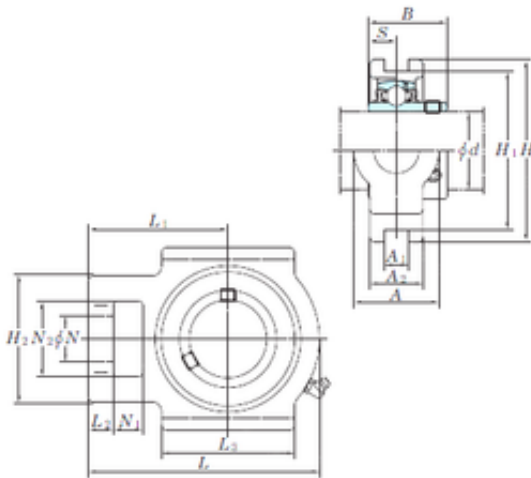




NTN DRIVESHAFT ANDERSON, INC.

KOYO UCT207 bearing units

Bearing No. UCT207



UCT207 Bearing 2D drawings and 3D CAD models

Bore Diameter	35 mm
d	35 mm
L2	13 mm
L3	64 mm
A	37 mm
A1	12 mm
B	42,9 mm
H	102 mm
H1	89 mm
H2	64 mm
L	129 mm
L1	78 mm
N	22 mm
N1	16 mm
S	17,5 mm
A2	30 mm
N2	37 mm
Weight	1,6 Kg
Basic dynamic load rating (C)	25,7 kN
Basic static load rating (C0)	15,4 kN
Bearing No.	UCT207
Cr	25.7
C0r	15.4
f0	13.9
(Refer.)Unit mass(kg)	1.6
Nipple size	1/4-28UNF



NTN DRIVESHAFT ANDERSON, INC.