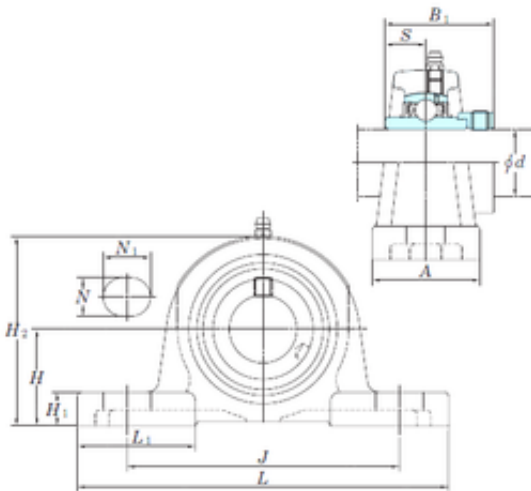




NTN DRIVESHAFT ANDERSON, INC.

KOYO NAP206-19 bearing units

Bearing No. NAP206-19



NAP206-19 Bearing 2D drawings and 3D CAD models

Bore Diameter	30,1625 mm
Width	42,9 mm
d	30,1625 mm
A	48 mm
B1	48,4 mm
H	42,9 mm
H1	15 mm
H2	84 mm
J	121 mm
L	165 mm
L1	53 mm
N	17 mm
N1	21 mm
S	18,3 mm
Bolt (G)	M14
Weight	1,4 Kg
Basic dynamic load rating (C)	19,5 kN