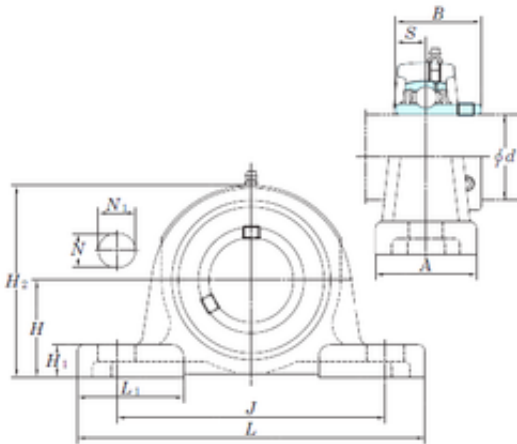




NTN DRIVESHAFT ANDERSON, INC.



UCP310 Bearing 2D drawings and 3D CAD models

KOYO UCP310 bearing units

Bearing No. UCP310

Bore Diameter	50 mm
Width	61 mm
d	50 mm
A	75 mm
B	61 mm
H	75 mm
H1	24 mm
H2	148 mm
J	212 mm
L	275 mm
L1	88 mm
N	20 mm
N1	35 mm
S	22 mm
Bolt (G)	M16
Weight	6,6 Kg
Basic dynamic load rating (C)	62 kN
Basic static load rating (C0)	38,3 kN
Bearing No.	UCP310
Bolt size	M16
Cr	62.0
C0r	38.3
f0	13.2
(Refer.)Unit mass(kg)	6.6
Nipple size	R1/8