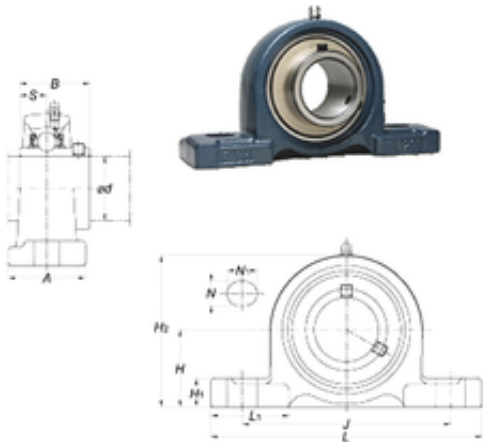




NTN DRIVESHAFT ANDERSON, INC.

FYH UCPX17 bearing units



Bearing No. UCPX17

Bore Diameter	85 mm
Width	96 mm
d	85 mm
A	102 mm
B	96 mm
H	101,6 mm
H1	34 mm
H2	200 mm
J	283 mm
L	381 mm
L1	116 mm
N	27 mm
N1	60 mm
S	39,7 mm
Bolt (G)	M22
Weight	16,1 Kg
Basic dynamic load rating (C)	96,1 kN
Basic static load rating (C0)	71,5 kN
Category	Mounted Units & Inserts
Inventory	0.0
Manufacturer Name	FYH BEARING UNITS
Minimum Buy Quantity	N/A
Weight / Kilogram	0
Product Group	M06110

UCPX17 Bearing 2D drawings and 3D CAD models