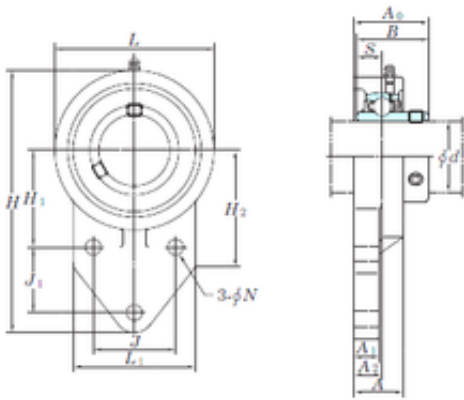




# NTN DRIVESHAFT ANDERSON, INC.

## KOYO UCFB205-14 bearing units



Bearing No. UCFB205-14

Bore Diameter	22,225 mm
d	22,225 mm
A0	34,8 mm
A	26 mm
A1	13 mm
B	34,1 mm
H	116 mm
H1	45 mm
H2	52 mm
J	34 mm
L	68 mm
L1	56 mm
N	9,5 mm
S	14,3 mm
Bolt (G)	M8
A2	15 mm
J1	27 mm
Weight	0,68 Kg
Basic dynamic load rating (C)	14 kN
Basic static load rating (C0)	7,85 kN

UCFB205-14 Bearing 2D drawings and 3D CAD models