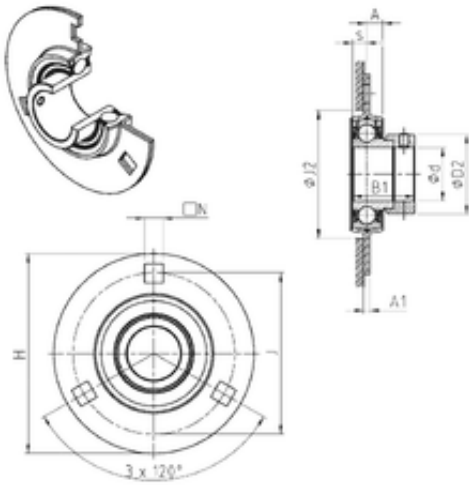




NTN DRIVESHAFT ANDERSON, INC.

SNR ESPF201 bearing units

Bearing No. ESPF201



ESPF201 Bearing 2D drawings and 3D CAD models

| | |
|-------------------------------|---------|
| Bore Diameter | 12 mm |
| d | 12 mm |
| s | 6,5 mm |
| A | 6,7 mm |
| A1 | 4 mm |
| B1 | 28,6 mm |
| D2 | 28,6 mm |
| H | 81 mm |
| N | 7,1 mm |
| J1 | 63,5 mm |
| J2 | 49 mm |
| Weight | 0,2 Kg |
| Basic dynamic load rating (C) | 9,55 kN |