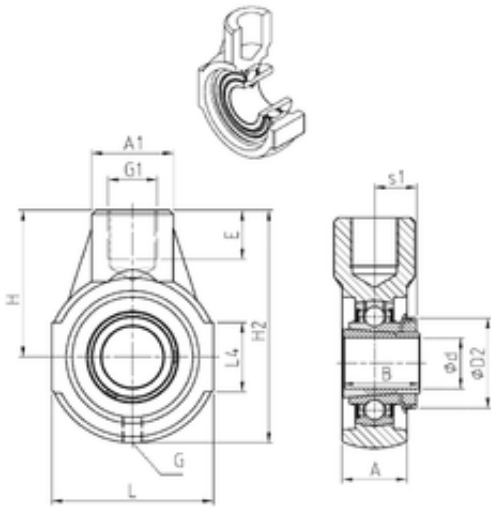




# NTN DRIVESHAFT ANDERSON, INC.

## SNR UKEHE205H bearing units

Bearing No. UKEHE205H



UKEHE205H Bearing 2D drawings and 3D CAD models

Bore Diameter	20 mm
d	20 mm
L4	38 mm
s1	18,5 mm
A	28 mm
A1	35 mm
B	35 mm
D2	38 mm
E	22 mm
G1	M20 mm
H	64 mm
H2	99 mm
L	70 mm
Thread (G)	R1/8"
Weight	1,2 Kg
Basic dynamic load rating (C)	14 kN
A2	35 mm
A5	18.5 mm
B1	35 mm
d1	38 mm
G	R1/8"
L1	64 mm
L3	38 mm
C	14 kN
C0	7.88 kN
T min.	-20 ° C



## NTN DRIVESHAFT ANDERSON, INC.

T max.	100 ° C
Adapter sleeve reference	H2305
Designation of housing	EHE205-
Designation of bearing	UK205G2H