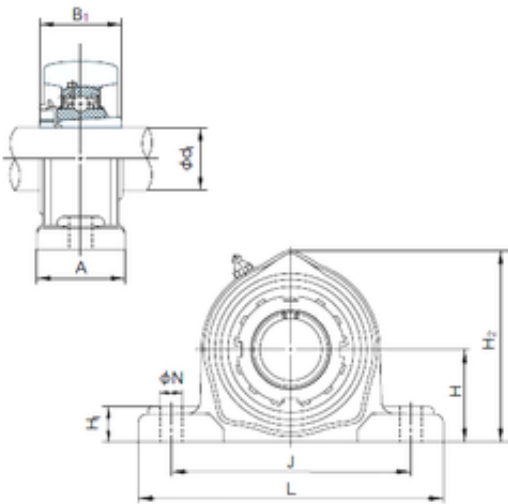




NTN DRIVESHAFT ANDERSON, INC.

NACHI UKPK326+H2326 bearing units

Bearing No. UKPK326+H2326



UKPK326+H2326 Bearing 2D drawings and 3D CAD models

Bore Diameter	115 mm
d	115 mm
H	180 mm
A	130 mm
B1	121 mm
H1	80 mm
H2	358 mm
J	480 mm
L	585 mm
N	38 mm
Bolt (G)	M33