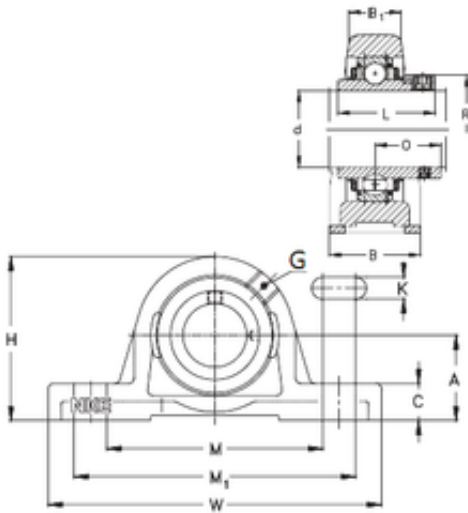




# NTN DRIVESHAFT ANDERSON, INC.

## NKE PASE15 bearing units

Bearing No. PASE15



PASE15 Bearing 2D drawings and 3D CAD models

Bore Diameter	15 mm
Width	30 mm
d	15 mm
O	22,1 mm
A	30,2 mm
B	30 mm
B1	18 mm
C	10 mm
H	57 mm
K	11 mm
L	28,6 mm
M	87 mm
M1	103 mm
R	28 mm
W	125 mm
Thread (G)	M6