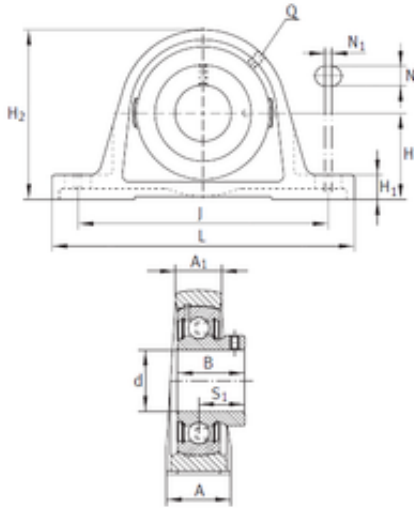




NTN DRIVESHAFT ANDERSON, INC.



INA PAKY1-3/16 bearing units

Bearing No. PAKY1-3/16

Bore Diameter	30,163 mm
d	30,163 mm
S1	21,006 mm
Thread (Q)	1/8 NPT
A	41,504 mm
A1	26,01 mm
B	29,998 mm
H	39,701 mm
H1	16,993 mm
H2	80,493 mm
J	117,247 mm
L	157,15 mm
N	15,012 mm
N1	8,459 mm
Category	Pillow Block Bearings
Inventory	0.0
Manufacturer Name	SCHAEFFLER GROUP
Minimum Buy Quantity	N/A
Weight / Kilogram	1.174
Product Group	M06110
Number of Mounting Holes	2
Mounting Method	Set Screw
Housing Style	2 Bolt Pillow Block
Rolling Element	Ball Bearing
Housing Material	Cast Iron
Expansion / Non-expansion	Non-expansion

PAKY1-3/16 Bearing 2D drawings and 3D CAD models



NTN DRIVESHAFT ANDERSON, INC.

Relubricatable	Yes
Insert Part Number	GAY103NPPB
Seals	Double Lip Contact
Housing Configuration	1 Piece Solid
Inch - Metric	Inch
Other Features	Single Row Spherical Low Base With Grub Screw
Long Description	2 Bolt Pillow Block; 1-3/16" Bore; 1-9/16" Base to Center Height; Set Screw Mount; Ball Bearing; 4.284" Minimum Bolt Spacing; 4.949" Bolt Spacing Maximum; Relubricatable; Cast Iron
Category	Pillow Block
UNSPSC	31171511
Harmonized Tariff Code	8483.20.40.40
Noun	Bearing
Keyword String	Pillow Block
Manufacturer URL	http://www.ina.com
Manufacturer Item Number	PAKY1-3/16
Weight / LBS	2.867
Bolt Spacing Minimum	4.284 Inch 108.814Millimeter
Bolt Spacing Maximum	4.949 Inch 125.7Millimeter
Length Thru Bore	1.181 Inch 30 Millimeter
Base to Center Height	1.563 Inch 39.7 Millimeter
Actual Bolt Center to Center	0 Inch 0Millimeter
Bore	1.188 Inch 30.175 Millimeter
Nominal Bolt Center to Center	4.7 Inch 119 Millimeter