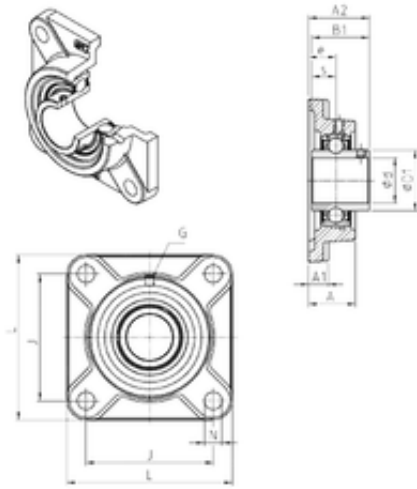




# NTN DRIVESHAFT ANDERSON, INC.



## SNR UCF213 bearing units

Bearing No. UCF213

Bore Diameter	65 mm
d	65 mm
e	30 mm
s	25,4 mm
A	50 mm
A1	22 mm
B1	65,1 mm
D1	82 mm
J	149 mm
L	187 mm
N	19 mm
Thread (G)	M6x1
A2	69,7 mm
Weight	5,6 Kg
Basic dynamic load rating (C)	57,2 kN

UCF213 Bearing 2D drawings and 3D CAD models