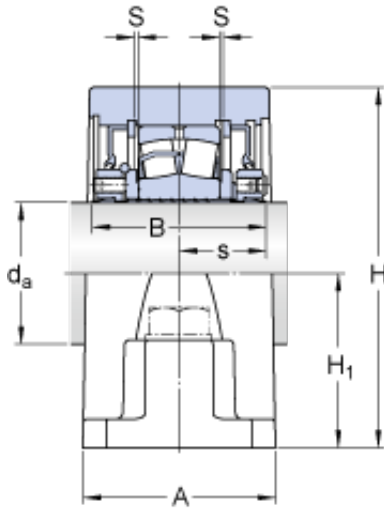




# NTN DRIVESHAFT ANDERSON, INC.



SYR 2 3/16 N Bearing 2D drawings and 3D CAD models

## SKF SYR 2 3/16 N bearing units

Bearing No. SYR 2 3/16 N

Size	55.562x60.325x59.531 mm
Bore Diameter	55,562 mm
Outer Diameter	60,325 mm
Width	59,531 mm
d <sub>a</sub>	55.562 mm
A	60.325 mm
B	59.531 mm
H	129.778 mm
H <sub>1</sub>	63.5 mm
H <sub>2</sub>	41.275 mm
L	225.425 mm
J - max.	187.325 mm
J - min.	163.512 mm
s	29.766 mm
S	0.794 mm
Basic dynamic load rating - C	125 kN
Limiting speed	3700 r/min
d <sub>a</sub>	55.563 mm
H <sub>1</sub>	63.5 mm
H <sub>2</sub>	41.275 mm
J max.	187.325 mm
J min.	163.512 mm
Basic dynamic load rating C	125 kN
Mass bearing unit	5.44 kg
Attachment bolt diameter G	15.875 mm



# NTN DRIVESHAFT ANDERSON, INC.