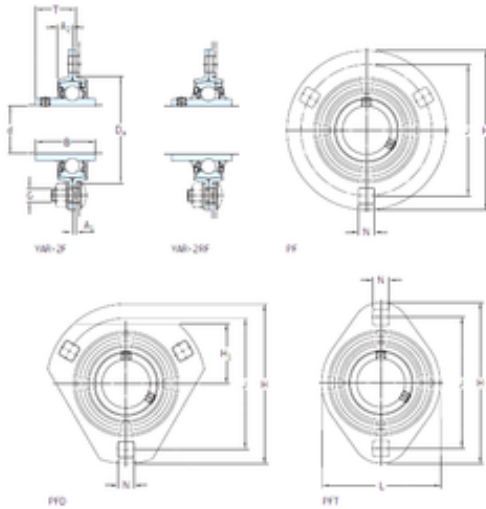




# NTN DRIVESHAFT ANDERSON, INC.



## SKF PFD 35 TR bearing units

Bearing No. PFD 35 TR

Bore Diameter	35 mm
Width	42,9 mm
d	35 mm
Da	81 mm
A1	2,5 mm
B	42,9 mm
G	10 mm
H	122 mm
H1	45 mm
J	100 mm
L	–
N	11 mm
T	27,9 mm
A2	10 mm
Weight	0,64 Kg
Basic dynamic load rating (C)	25,5 kN
Basic static load rating (C0)	15,3 kN
Housing material	Pressed steel
A <sub>1</sub>	2.5 mm
A <sub>2</sub>	10 mm
B <sub>4</sub>	6 mm
D <sub>a</sub> min.	77 mm
H <sub>1</sub>	45 mm
s <sub>1</sub>	25.4 mm
Basic dynamic load rating C	25.5 kN
Basic static load rating C <sub>0</sub>	15.3 kN

PFD 35 TR Bearing 2D drawings and 3D CAD models



## NTN DRIVESHAFT ANDERSON, INC.

Fatigue load limit $P_u$	0.655 kN
Permissible radial housing load max.	6.5 kN
Mass unit	0.64 kg
Thread grub screw $G_2$	M6x0.75
Hexagonal key size for grub screw N	3 mm
Recommended tightening torque for grub screw	4 N · m
Recommended diameter for attachment bolts, mm G	10 mm
Recommended diameter for attachment bolts, inch G	0.375 in