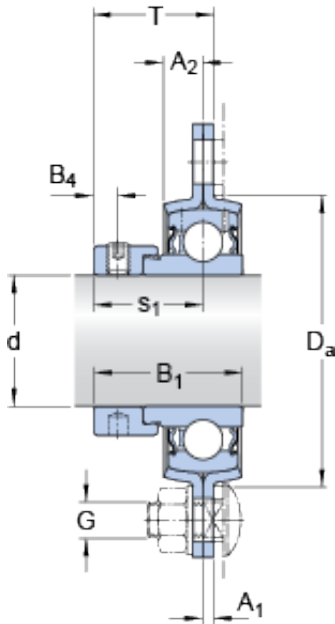




NTN DRIVESHAFT ANDERSON, INC.



PF 1. FM Bearing 2D drawings and 3D CAD models

SKF PF 1. FM bearing units

Bearing No. PF 1. FM

Size	25.4x2x9 mm
Bore Diameter	25,4 mm
Outer Diameter	2 mm
Width	9 mm
d	25.4 mm
A ₁	2 mm
A ₂	9 mm
B	21.5 mm
B ₄	4.75 mm
D _a - min.	56 mm
J	76.2 mm
H	95 mm
H	8.7 mm
s ₁	23.5 mm
T	25.5 mm
Basic dynamic load rating - C	14 kN
Basic static load rating - C ₀	7.8 kN
Fatigue load limit - P _u	0.335 kN
Permissible radial housing load	max. 3.6 kN
Weight	0.36 kg
Thread - G ₂ - 1/4-28 UNF	1/428 UNF
Hexagonal key size for grub screw - H	3.175 mm
Housing material	Pressed steel



NTN DRIVESHAFT ANDERSON, INC.

A ₁	2 mm
A ₂	9 mm
B ₄	4.75 mm
D _a min.	56 mm
N	8.7 mm
s ₁	23.5 mm
Basic dynamic load rating C	14 kN
Basic static load rating C ₀	7.8 kN
Fatigue load limit P _u	0.335 kN
Permissible radial housing load max.	3.6 kN
Mass unit	0.36 kg
Thread grub screw G ₂	1/4-28 UNF
Hexagonal key size for grub screw N	3.175 mm
Recommended tightening torque for grub screw	4 N · m
Recommended diameter for attachment bolts, mm G	8 mm
Recommended diameter for attachment bolts, inch G	0.3125 in
Bearing	YET 205-100
Housing	PF 52