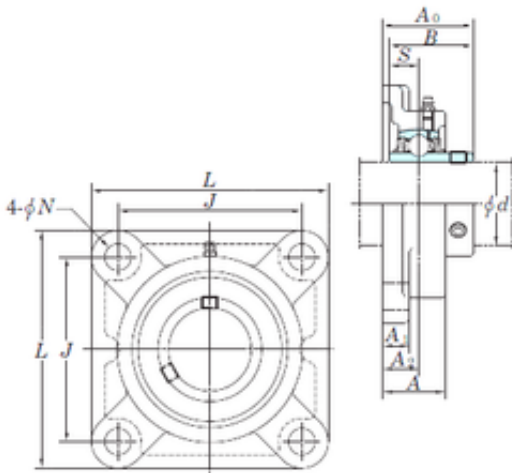




NTN DRIVESHAFT ANDERSON, INC.

KOYO UCFX13-40E bearing units

Bearing No. UCFX13-40E



Bore Diameter	63,5 mm
d	63,5 mm
A0	78,4 mm
A	59 mm
A1	21 mm
B	74,6 mm
J	149 mm
L	187 mm
N	16,5 mm
S	30,2 mm
Bolt (G)	9/16
A2	34 mm
Weight	6,3 Kg
Basic dynamic load rating (C)	62,2 kN
Basic static load rating (C0)	44,1 kN

UCFX13-40E Bearing 2D drawings and 3D CAD models