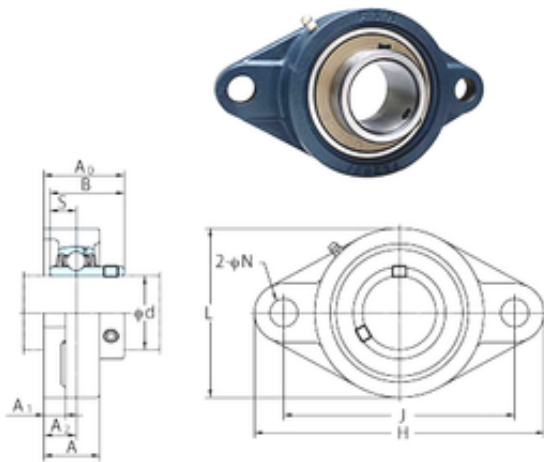




# NTN DRIVESHAFT ANDERSON, INC.

## FYH UCFL309 bearing units

Bearing No. UCFL309



UCFL309 Bearing 2D drawings and 3D CAD models

Bore Diameter	45 mm
d	45 mm
A0	60 mm
A	44 mm
A1	18 mm
B	57 mm
H	230 mm
J	177 mm
L	125 mm
N	25 mm
S	22 mm
Bolt (G)	13,3
Bolt (G)	M22
A2	25 mm
Weight	3,5 Kg
Basic static load rating (C0)	48,9 kN