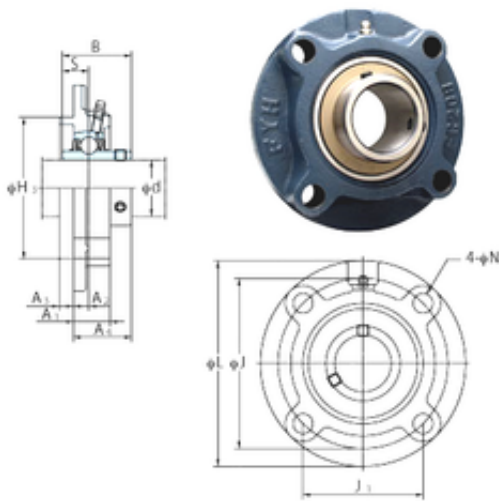




NTN DRIVESHAFT ANDERSON, INC.

FYH UCFCX14-44E bearing units

Bearing No. UCFCX14-44E



UCFCX14-44E Bearing 2D drawings and 3D CAD models

Bore Diameter	69,85 mm
d	69,85 mm
H3	161,925 mm
A4	58,5 mm
A1	36 mm
B	77,8 mm
J	190 mm
L	222 mm
N	19 mm
S	33,3 mm
Bolt (G)	M16
A2	14 mm
A3	20 mm
J1	134,3 mm
Weight	7,3 Kg
Basic dynamic load rating (C)	67,4 kN
Basic static load rating (C0)	48,3 kN