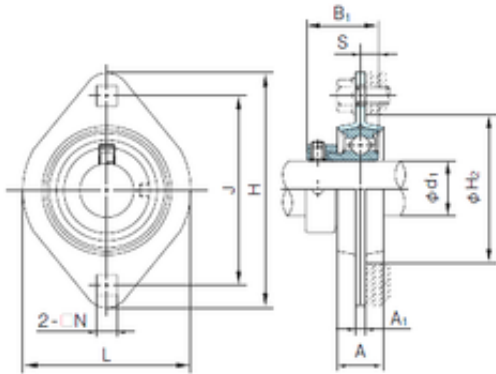




NTN DRIVESHAFT ANDERSON, INC.

NACHI KHPFL204A bearing units



Bearing No. KHPFL204A

Bore Diameter	20 mm
d	20 mm
H	90 mm
A	16 mm
A1	4 mm
B	31 mm
H2	56 mm
J	71.5 mm
L	67 mm
N	9 mm
S	7.5 mm
Bolt (G)	M8

KHPFL204A Bearing 2D drawings and 3D CAD models