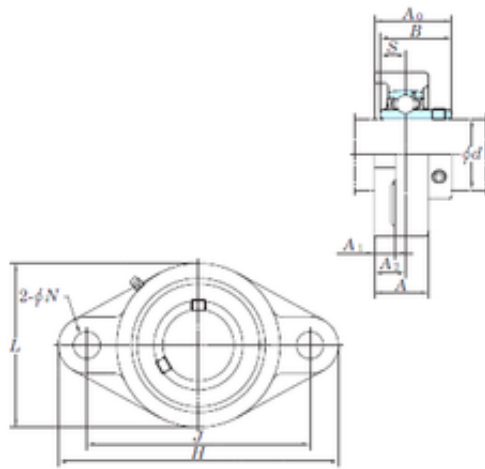




# NTN DRIVESHAFT ANDERSON, INC.



## KOYO UCFL318-56 bearing units

Bearing No. UCFL318-56

Bore Diameter	88,9 mm
d	88,9 mm
A0	100 mm
A	76 mm
A1	36 mm
B	96 mm
H	385 mm
J	315 mm
L	235 mm
N	38 mm
S	40 mm
A2	44 mm
Weight	19 Kg
Basic static load rating (C0)	143 kN

UCFL318-56 Bearing 2D drawings and 3D CAD models