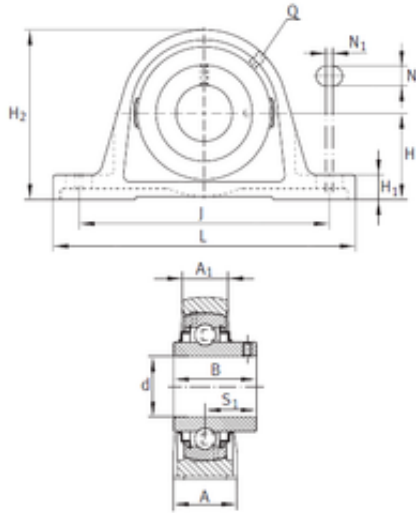




NTN DRIVESHAFT ANDERSON, INC.



INA RASEY1-7/16 bearing units

Bearing No. RASEY1-7/16

Bore Diameter	36,513 mm
d	36,513 mm
S1	25,4 mm
Thread (Q)	1/8 NPT
A	46,508 mm
A1	27,991 mm
B	42,901 mm
H	47,6 mm
H1	19 mm
H2	93,701 mm
J	129,998 mm
L	172 mm
N	15,012 mm
N1	7,9 mm
Category	Pillow Block Bearings
Inventory	0.0
Manufacturer Name	SCHAEFFLER GROUP
Minimum Buy Quantity	N/A
Weight / Kilogram	1.7
Product Group	M06110
Number of Mounting Holes	2
Mounting Method	Set Screw
Housing Style	2 Bolt Pillow Block
Rolling Element	Ball Bearing
Housing Material	Cast Iron
Expansion / Non-expansion	Non-expansion

RASEY1-7/16 Bearing 2D drawings and 3D CAD models



NTN DRIVESHAFT ANDERSON, INC.

Relubricatable	Yes
Insert Part Number	GY1107KRRB
Seals	Double Land Riding Rubber Contact
Housing Configuration	1 Piece Solid
Inch - Metric	Inch
Other Features	Single Row Standard Shaft Height
Long Description	2 Bolt Pillow Block; 1-7/16" Bore; 1-7/8" Base to Center Height; Set Screw Mount; Ball Bearing; 4.807" Minimum Bolt Spacing; 5.429" Bolt Spacing Maximum; Relubricatable; Cast Iron;
Category	Pillow Block
UNSPSC	31171511
Harmonized Tariff Code	8483.20.40.40
Noun	Bearing
Keyword String	Pillow Block
Manufacturer URL	http://www.ina.com
Manufacturer Item Number	RASEY1-7/16
Weight / LBS	3.75
Actual Bolt Center to Center	0 Inch 0Millimeter
Base to Center Height	1.875 Inch 47.63 Millimeter
Nominal Bolt Center to Center	5 Inch 127 Millimeter
Length Thru Bore	1.689 Inch 42.9 Millimeter
Bore	1.438 Inch 36.525 Millimeter
Bolt Spacing Maximum	5.429 Inch 137.9Millimeter
Bolt Spacing Minimum	4.807 Inch 122.1Millimeter