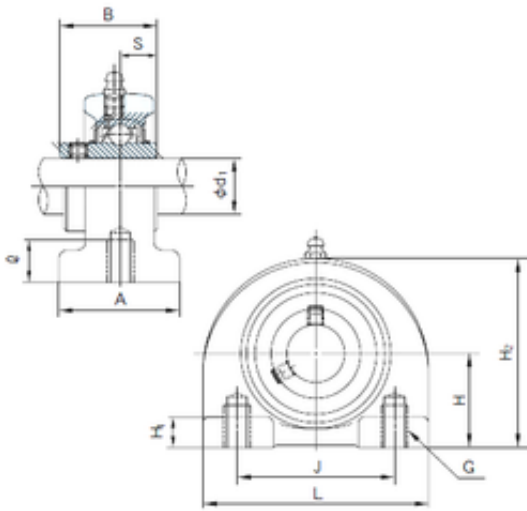




NTN DRIVESHAFT ANDERSON, INC.



UCPA210 Bearing 2D drawings and 3D CAD models

NACHI UCPA210 bearing units

Bearing No. UCPA210

| | |
|---------------|------------------|
| Bore Diameter | 50 mm |
| Width | 51.6 mm |
| d | 50 mm |
| A | 60 mm |
| B | 51.6 mm |
| H | 57.2 mm |
| H1 | 14 mm |
| H2 | 116 mm |
| J | 94 mm |
| L | 130 mm |
| S | 19 mm |
| | 25 Tolerance h14 |
| Thread (G) | M16 x 2 |