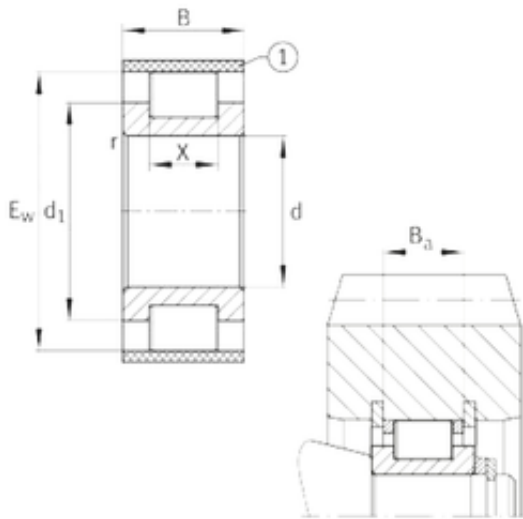




NTN DRIVESHAFT ANDERSON, INC.



INA RSL183016-A cylindrical roller bearings

Bearing No. RSL183016-A

Size	80x116.99x34 mm
Bore Diameter	80 mm
Outer Diameter	116,99 mm
Width	34 mm
d	80 mm
Ew	116,99 mm
B	34 mm
Ba	29,6 mm
X	20 mm
d1	95 mm
r min.	1,1 mm
Weight	0,97 Kg
Basic dynamic load rating (C)	173 kN

RSL183016-A Bearing 2D drawings and 3D CAD models