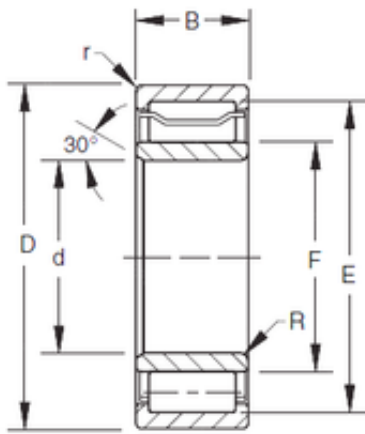




NTN DRIVESHAFT ANDERSON, INC.

180 mm x 320 mm x 107,95 mm Timken
A-5236-WS cylindrical roller bearings



Bearing No. A-5236-WS

Bore Diameter	180 mm
Outer Diameter	298 mm
d	180 mm
F	211 mm
D	320 mm
E	298 mm
B	107,95 mm
C	107,95 mm
R	6,4 mm
r	3 mm

A-5236-WS Bearing 2D drawings and 3D CAD models