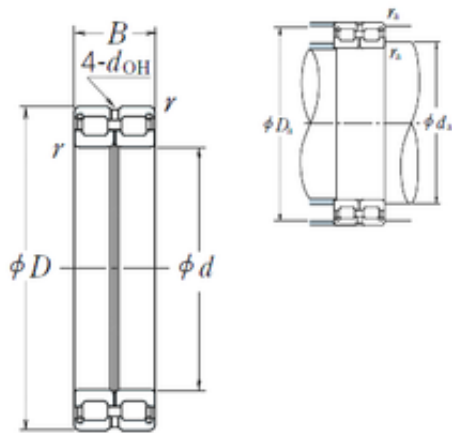




NTN DRIVESHAFT ANDERSON, INC.

320 mm x 440 mm x 118 mm NSK RS-4964E4 cylindrical roller bearings



Bearing No. RS-4964E4

RS-4964E4 Bearing 2D drawings and 3D CAD models

Size	320x440x118 mm
Bore Diameter	320 mm
Outer Diameter	440 mm
Width	118 mm
d	320 mm
D	440 mm
B	118 mm
C	118 mm
r min.	3 mm
da min.	333 mm
Da max.	427 mm
ra max.	2,5 mm
Weight	55 Kg
Basic dynamic load rating (C)	1500 kN
Basic static load rating (C0)	3600 kN
(Grease) Lubrication Speed	280 r/min
hidYobi	RS-4964E4
LangID	1
D_	440
B_	118
hidTable	ecat_NSCLDRS
Oil rpm	280
mass	55
GRS rpm	560
ra	2.5



NTN DRIVESHAFT ANDERSON, INC.

da_min	333
C0	3600
DE_	404.5
Prod_Type3	CRB_FRFS_OT_FIX
DA_	28
Z_	42
yobi	RS-4964E4
da_max	427
SDM_	376.5
r	3
KBRG	4220
disp	7
DI_	348.5
doh	9