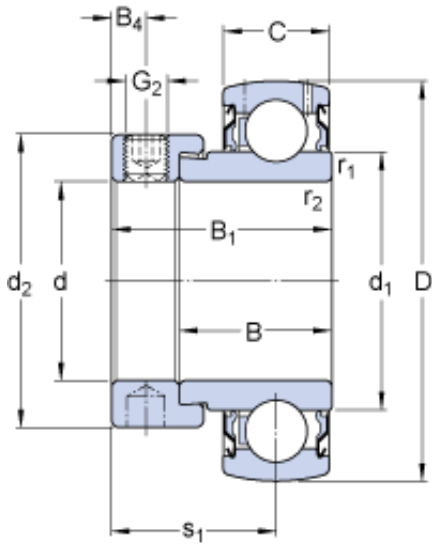




NTN DRIVESHAFT ANDERSON, INC.



40 mm x 80 mm x 30.2 mm SKF YET
208/VL065 deep groove ball bearings

Bearing No. YET 208/VL065

YET 208/VL065 Bearing 2D drawings and 3D CAD models

Size	80x40x43.7 mm
Bore Diameter	80 mm
Outer Diameter	40 mm
Width	43,7 mm
d	40 mm
D	80 mm
B ₁	43.7 mm
C	21 mm
d ₁	51.8 mm
d ₂	56.5 mm
B	30.2 mm
B ₄	6.75 mm
r _{1,2} - min.	1 mm
s ₁	33.2 mm
Basic dynamic load rating - C	30.7 kN
Basic static load rating - C ₀	19 kN
Fatigue load limit - P _u	0.8 kN
Limiting speed with shaft tolerance h6	4800 r/min
Calculation factor - f ₀	14
Mass bearing	0.59 kg
Thread - G ₂	M10x1
Hexagonal key size for grub screw - H	5 mm



NTN DRIVESHAFT ANDERSON, INC.

Category	Bearings
Inventory	0.0
Manufacturer Name	SKF
Minimum Buy Quantity	N/A
UNSPSC	31171563
Weight / Kilogram	0
EAN	7316570768442
Product Group	M06110
B ₁	43.2 mm
d ₁	51.8 mm
d ₂	56.5 mm
B ₄	6.75 mm
r _{1,2} min.	1 mm
s ₁	32.7 mm
Basic dynamic load rating C	30.7 kN
Basic static load rating C ₀	19 kN
Fatigue load limit P _u	0.8 kN
Limiting speed ¹⁾	4800 r/min
Calculation factor f ₀	14
Mass complete bearing	0.6 kg
Thread grub screw G ₂	M10x1
Hexagonal key size for grub screw N	5 mm
Recommended tightening torque for grub screw	16.5 N · m
Rubber seating ring	RIS 208 A