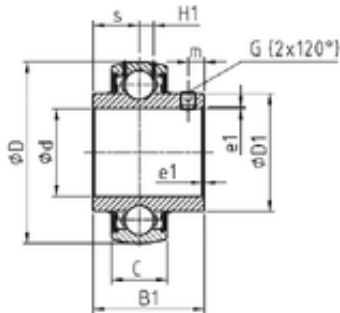




NTN DRIVESHAFT ANDERSON, INC.



UC316 Bearing 2D drawings and 3D CAD models

SNR UC316 deep groove ball bearings

Bearing No. UC316

Size	80x170x44 mm
Bore Diameter	80 mm
Outer Diameter	170 mm
Width	44 mm
d	80 mm
D	170 mm
B1	86 mm
C	44 mm
e	3 mm
a	6 mm
m	14 mm
s	34 mm
D1	107,9 mm
H1	14,5 mm
Thread (G)	M14x1,5
Weight	5,57 Kg
Basic dynamic load rating (C)	122,85 kN