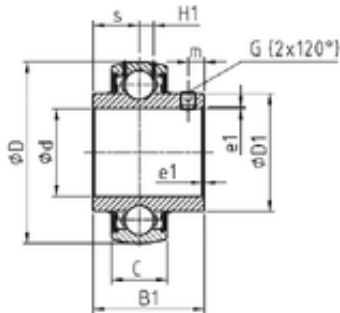




NTN DRIVESHAFT ANDERSON, INC.



UC214 Bearing 2D drawings and 3D CAD models

SNR UC214 deep groove ball bearings

Bearing No. UC214

Size	70x125x30 mm
Bore Diameter	70 mm
Outer Diameter	125 mm
Width	30 mm
d	70 mm
D	125 mm
B1	74,6 mm
C	30 mm
e	2 mm
a	6 mm
m	12 mm
s	30,2 mm
D1	86,5 mm
H1	9 mm
Thread (G)	M12x1,25
Weight	2,05 Kg
Basic dynamic load rating (C)	62 kN