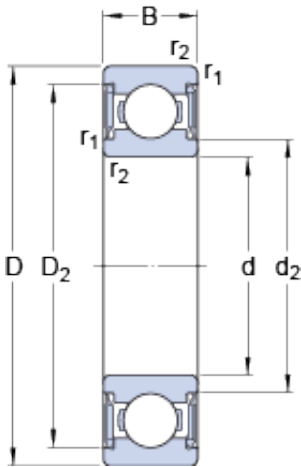




NTN DRIVESHAFT ANDERSON, INC.



12 mm x 21 mm x 5 mm SKF W 61801-2RS1
deep groove ball bearings

Bearing No. W 61801-2RS1

W 61801-2RS1 Bearing 2D drawings and 3D CAD models

| | |
|---|--------------------------|
| Size | 21x12x5 mm |
| Bore Diameter | 12 mm |
| Outer Diameter | 12 mm |
| Width | 5 mm |
| d | 12 mm |
| D | 21 mm |
| B | 5 mm |
| d ₂ | 13.8 mm |
| D ₂ | 19.15 mm |
| r _{1,2} - min. | 0.3 mm |
| d _a - min. | 13.5 mm |
| d _a - max. | 13.5 mm |
| D _a - max. | 19.5 mm |
| r _a - max. | 0.3 mm |
| Basic dynamic load rating - C | 1.5 kN |
| Basic static load rating - C ₀ | 0.9 kN |
| Fatigue load limit - P _u | 0.039 kN |
| Limiting speed | 20000 r/min |
| Calculation factor - k _r | 0.02 |
| Calculation factor - f ₀ | 13.4 |
| Category | Single Row Ball Bearings |
| Inventory | 0.0 |
| Manufacturer Name | SKF |
| Minimum Buy Quantity | N/A |



NTN DRIVESHAFT ANDERSON, INC.

| | |
|---------------------------------|--|
| Weight / Kilogram | 0.007 |
| EAN | 7316570444056 |
| Product Group | B00308 |
| Enclosure | 2 Seals |
| Precision Class | ABEC 1 ISO P0 |
| Maximum Capacity / Filling Slot | No |
| Rolling Element | Ball Bearing |
| Snap Ring | No |
| Internal Special Features | No |
| Cage Material | Stainless Steel |
| Enclosure Type | Contact Seal |
| Internal Clearance | C0-Medium |
| Inch - Metric | Metric |
| Long Description | 12MM Bore; 21MM Outside Diameter; 5MM Outer Race Width; 2 Seals; Ball Bearing; ABEC 1 ISO P0; No Filling Slot; No Snap Ring; No Internal Special Features; C0-Medium Internal Clearance; Stainless Ste |
| Other Features | Deep Groove NBR Seal |
| Category | Single Row Ball Bearing |
| UNSPSC | 31171504 |
| Harmonized Tariff Code | 8482.10.50.68 |
| Noun | Bearing |
| Keyword String | Ball |
| Manufacturer URL | http://www.skf.com |
| Manufacturer Item Number | W 61801-2RS1 |
| Weight / LBS | 0.018 |
| Inner Race Width | 0 Inch 0 Millimeter |
| Outer Race Width | 0.197 Inch 5 Millimeter |
| Bore | 0.472 Inch 12 Millimeter |



NTN DRIVESHAFT ANDERSON, INC.

| | |
|--------------------------------|----------------------------|
| Outside Diameter | 0.827 Inch 21 Millimeter |
| d_2 | 13.8 mm |
| D_2 | 19.15 mm |
| $r_{1,2}$ min. | 0.3 mm |
| d_a min. | 13.5 mm |
| d_a max. | 13.5 mm |
| D_a max. | 19.5 mm |
| r_a max. | 0.3 mm |
| Basic dynamic load rating C | 1.51 kN |
| Basic static load rating C_0 | 0.9 kN |
| Fatigue load limit P_u | 0.039 kN |
| Calculation factor k_r | 0.02 |
| Calculation factor f_0 | 13.4 |
| Mass bearing | 0.006 kg |