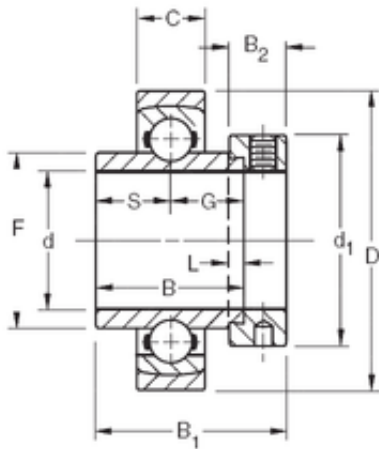




NTN DRIVESHAFT ANDERSON, INC.

30,1625 mm x 68 mm x 36,51 mm Timken
SM1103KS deep groove ball bearings



Bearing No. SM1103KS

Size	30.1625x68x36.51 mm
Bore Diameter	30,1625 mm
Outer Diameter	68 mm
Width	36,51 mm
d	30,1625 mm
D	68 mm
B	36,51 mm
C	16 mm
d1	44,4 mm
B1	48,4 mm
B2	15,9 mm
F	39,12 mm
G	18,3 mm
L	4 mm
S	18,3 mm
Weight	0,418 Kg
Basic dynamic load rating (C)	21,6 kN

SM1103KS Bearing 2D drawings and 3D CAD models