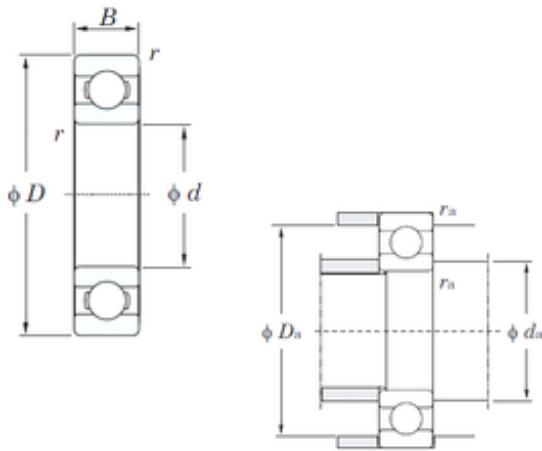




# NTN DRIVESHAFT ANDERSON, INC.



60 mm x 150 mm x 35 mm KOYO 6412 deep groove ball bearings

Bearing No. 6412

6412 Bearing 2D drawings and 3D CAD models

Size	60x150x35 mm
Bore Diameter	60 mm
Outer Diameter	150 mm
Width	35 mm
d	60 mm
D	150 mm
B	35 mm
C	35 mm
r min.	2,1 mm
da min.	71 mm
Da max.	139 mm
ra max.	2 mm
Weight	2,77 Kg
Basic dynamic load rating (C)	110 kN
Basic static load rating (C0)	70,8 kN
(Grease) Lubrication Speed	4600 r/min
(Oil) Lubrication Speed	5500 r/min
Category	Single Row Ball Bearings
Inventory	0.0
Manufacturer Name	KOYO
Minimum Buy Quantity	N/A
Weight / Kilogram	2.984
EAN	0605790369070
Product Group	B00308
Enclosure	Open



## NTN DRIVESHAFT ANDERSON, INC.

Precision Class	ABEC 1   ISO P0
Maximum Capacity / Filling Slot	No
Rolling Element	Ball Bearing
Snap Ring	No
Internal Special Features	No
Cage Material	Steel
Internal Clearance	C0-Medium
Inch - Metric	Metric
Long Description	60MM Bore; 150MM Outside Diameter; 35MM Outer Race Diameter; Open; Ball Bearing; ABEC 1   ISO P0; No Filling Slot; No Snap Ring; No Internal Special Features
Category	Single Row Ball Bearing
UNSPSC	31171504
Harmonized Tariff Code	8482.10.50.68
Noun	Bearing
Keyword String	Ball
Manufacturer URL	<a href="http://www.koyousa.com">http://www.koyousa.com</a>
Manufacturer Item Number	6412
Weight / LBS	6.572
Outer Race Width	1.378 Inch   35 Millimeter
Bore	2.362 Inch   60 Millimeter
Outside Diameter	5.906 Inch   150 Millimeter
Bearing No.	6412
r(min)	2.1
Cr	137
C0r	70.8
Cu	5.75
f0	12.4
Grease lub.	4600



## NTN DRIVESHAFT ANDERSON, INC.

Oil lub.	5500
da(min)	71
Da(max)	139
ra(max)	2
(Refer.)Mass(kg)	2.77