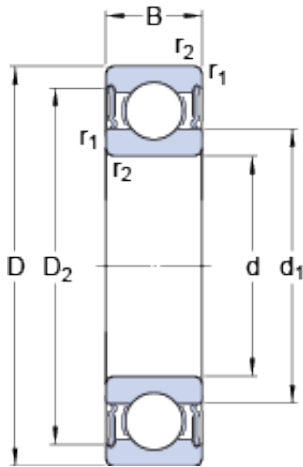




NTN DRIVESHAFT ANDERSON, INC.



17 mm x 47 mm x 14 mm SKF W 6303-2RS1
deep groove ball bearings

Bearing No. W 6303-2RS1

W 6303-2RS1 Bearing 2D drawings and 3D CAD models

| | |
|---|--------------------------|
| Size | 47x17x14 mm |
| Bore Diameter | 47 mm |
| Outer Diameter | 17 mm |
| Width | 14 mm |
| d | 17 mm |
| D | 47 mm |
| B | 14 mm |
| d ₁ | 27.5 mm |
| D ₂ | 41.1 mm |
| r _{1,2} - min. | 1 mm |
| d _a - min. | 22 mm |
| d _a - max. | 27 mm |
| D _a - max. | 42 mm |
| r _a - max. | 1 mm |
| Basic dynamic load rating - C | 11.7 kN |
| Basic static load rating - C ₀ | 6.6 kN |
| Fatigue load limit - P _u | 0.28 kN |
| Limiting speed | 10000 r/min |
| Calculation factor - k _r | 0.035 |
| Calculation factor - f ₀ | 12.4 |
| Category | Single Row Ball Bearings |
| Inventory | 0.0 |
| Manufacturer Name | SKF |
| Minimum Buy Quantity | N/A |



NTN DRIVESHAFT ANDERSON, INC.

| | |
|---------------------------------|--|
| Weight / Kilogram | 0.111 |
| EAN | 7316570466706 |
| Product Group | B00308 |
| Enclosure | 2 Seals |
| Precision Class | ABEC 1 ISO P0 |
| Maximum Capacity / Filling Slot | No |
| Rolling Element | Ball Bearing |
| Snap Ring | No |
| Internal Special Features | No |
| Cage Material | Stainless Steel |
| Enclosure Type | Contact Seal |
| Internal Clearance | C0-Medium |
| Inch - Metric | Metric |
| Long Description | 17MM Bore; 47MM Outside Diameter; 14MM Outer Race Width; 2 Seals; Ball Bearing; ABEC 1 ISO P0; No Filling Slot; No Snap Ring; No Internal Special Features; C0-Medium Internal Clearance; Stainless St |
| Other Features | Deep Groove NBR Seal |
| Category | Single Row Ball Bearing |
| UNSPSC | 31171504 |
| Harmonized Tariff Code | 8482.10.50.68 |
| Noun | Bearing |
| Keyword String | Ball |
| Manufacturer URL | http://www.skf.com |
| Manufacturer Item Number | W 6303-2RS1 |
| Weight / LBS | 0.2491 |
| Outer Race Width | 0.551 Inch 14 Millimeter |
| Bore | 0.669 Inch 17 Millimeter |
| Outside Diameter | 1.85 Inch 47 Millimeter |



NTN DRIVESHAFT ANDERSON, INC.

| Inner Race Width | 0 Inch 0 Millimeter |
|--------------------------------|-----------------------|
| d_1 | 27.5 mm |
| D_2 | 41.1 mm |
| $r_{1,2}$ min. | 1 mm |
| d_a min. | 22 mm |
| d_a max. | 27 mm |
| D_a max. | 42 mm |
| r_a max. | 1 mm |
| Basic dynamic load rating C | 11.7 kN |
| Basic static load rating C_0 | 6.55 kN |
| Fatigue load limit P_u | 0.28 kN |
| Calculation factor k_r | 0.035 |
| Calculation factor f_0 | 12.4 |
| Mass bearing | 0.11 kg |