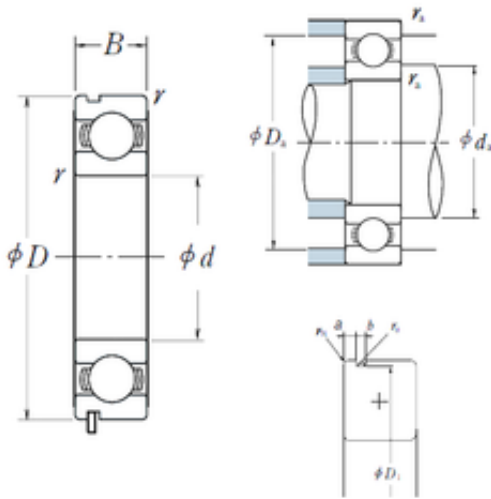




NTN DRIVESHAFT ANDERSON, INC.



65 mm x 100 mm x 18 mm NSK 6013N deep groove ball bearings

Bearing No. 6013N

6013N Bearing 2D drawings and 3D CAD models

Size	65x100x18 mm
Bore Diameter	65 mm
Outer Diameter	100 mm
Width	18 mm
d	65 mm
D	100 mm
B	18 mm
C	18 mm
rn	0,5 mm
a	2,87 mm
b	2,7 mm
r min.	1,1 mm
r0 max.	0,6 mm
D1	96,8 mm
da min.	71,5 mm
da max	73 mm
Da max.	93,5 mm
ra max.	1 mm
Weight	0,439 Kg
Basic dynamic load rating (C)	30,5 kN
Basic static load rating (C0)	25,2 kN
(Grease) Lubrication Speed	6 700 r/min
(Oil) Lubrication Speed	8 000 r/min
SRI	5.34
hidYobi	6013N



NTN DRIVESHAFT ANDERSON, INC.

LangID	1
ro	0.6
D_	100
SREX	0.025
B_	18
da min	71.5
hidTable	ecat_NSRDGB
Oil rpm	8000
SRE	5.34
mass	0.439
GRS rpm	6700
ra	1
SRIX	0.025
D_a	93.5
SRIN	-0.025
C0	25.2
fo	15.8
SREN	-0.025
DE_	92.819
Prod_Type3	DGBB_SR_N_OT
DA_	10.319
bomp	0
Z_	15
yobi	6013N
C_conv	30500
ALPHA_	0
SDM_	82.5
r	1.1
KBRG	6101
SBRG	10
DI_	72.181