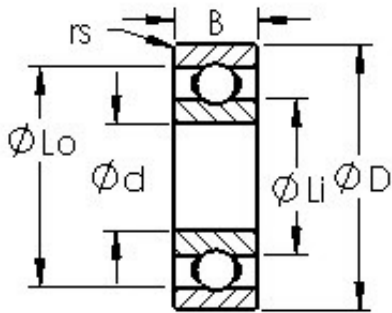




NTN DRIVESHAFT ANDERSON, INC.



AST 6219 deep groove ball bearings

Bearing No. 6219

Size	95x170x32 mm
Bore Diameter	95 mm
Outer Diameter	170 mm
Width	32 mm
Bearing Type	Open
Bore Dia (d)	95.0000
Outer Dia (D)	170.0000
Width (B)	32.0000
Radius (min) (rs)	2.100
Dynamic Load Rating (Cr)	109,000
Static Load Rating (Cor)	81,900
Max Speed (Grease) (X1000 RPM)	4
Max Speed (Oil) (X1000 RPM)	5
Max. Shaft Shoulder Dia. Inner (Li)	114.0
Min. Housing Shoulder Dia., Outer (Lo)	159.0
Weight (g)	2,590.00
Precision	A1
Standard Clearance	C0
Material	52100 Chrome steel (or equivalent)

6219 Bearing 2D drawings and 3D CAD models