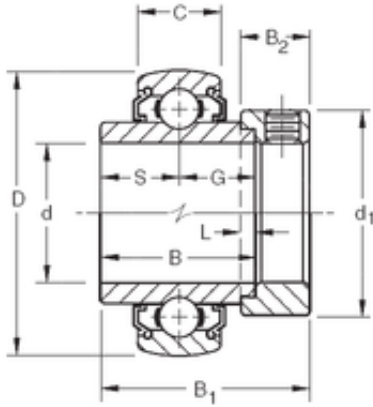




NTN DRIVESHAFT ANDERSON, INC.

28,575 mm x 62 mm x 36,51 mm Timken
1102KLLB deep groove ball bearings



Bearing No. 1102KLLB

Size	28.575x62x36.51 mm
Bore Diameter	28,575 mm
Outer Diameter	62 mm
Width	36,51 mm
d	28,575 mm
D	62 mm
B	36,51 mm
C	16(1) mm
d1	44,1 mm
B1	48,42 mm
B2	15,88 mm
G	18,26 mm
L	3,97 mm
S	18,26 mm
Weight	0,413 Kg
Basic dynamic load rating (C)	21,8 kN

1102KLLB Bearing 2D drawings and 3D CAD models