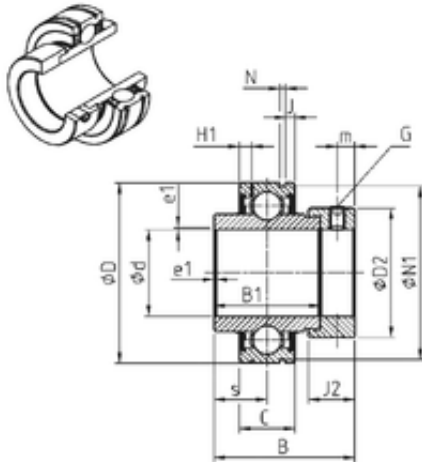




# NTN DRIVESHAFT ANDERSON, INC.

34,925 mm x 72 mm x 51,1 mm SNR  
CEX207-22 deep groove ball bearings



Bearing No. CEX207-22

Size	34.925x72x51.1 mm
Bore Diameter	34,925 mm
Outer Diameter	72 mm
Width	51,1 mm
d	34,925 mm
D	72 mm
B	51,1 mm
B1	37,6 mm
C	20 mm
e	1,5 mm
a	3,96875 mm
m	6,5 mm
s	18,8 mm
D2	55,5 mm
H1	5 mm
J	3,3 mm
N	1,9 mm
N1	68,81 mm
Thread (G) - 5/16-24UNF	5/1624UNF
J2	17,5 mm
Weight	0,61 Kg
Basic dynamic load rating (C)	25,7 kN
b	1.9 mm
B2	17.5 mm
C1	5 mm

CEX207-22 Bearing 2D drawings and 3D CAD models



## NTN DRIVESHAFT ANDERSON, INC.

d1	55.5 mm
G	5/16-24UNF
r	1.5
S	18.8 mm
SW	3.97 mm
C0	15.2 kN
T min.	-20 ° C
T max.	100 ° C
Recommended tightening torque for set screw	8 Nm