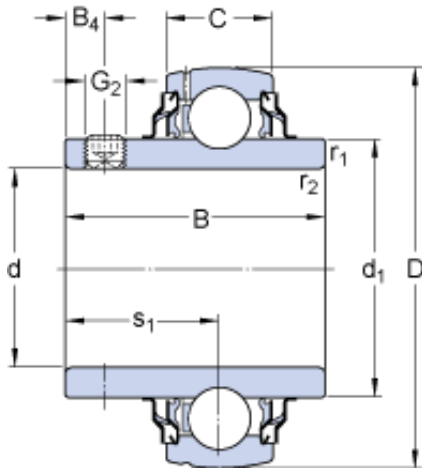




NTN DRIVESHAFT ANDERSON, INC.



20 mm x 47 mm x 31 mm SKF YAR
204-2RFGR/HV deep groove ball bearings

Bearing No. YAR 204-2RFGR/HV

YAR 204-2RFGR/HV Bearing 2D drawings and 3D CAD models

Size	47x20x31 mm
Bore Diameter	47 mm
Outer Diameter	20 mm
Width	31 mm
d	20 mm
D	47 mm
B	31 mm
C	14 mm
d ₁	28.2 mm
B ₄	4.5 mm
r _{1,2} - min.	0.6 mm
s ₁	18.3 mm
Basic dynamic load rating - C	10.8 kN
Basic static load rating - C ₀	6.6 kN
Fatigue load limit - P _u	0.28 kN
Limiting speed with shaft tolerance h6	5000 r/min
Calculation factor - f ₀	13
Mass bearing	0.14 kg
Thread - G ₂	M6x0.75
Hexagonal key size for grub screw - H	3 mm
Category	Bearings
Inventory	0.0



NTN DRIVESHAFT ANDERSON, INC.

Manufacturer Name	SKF
Minimum Buy Quantity	N/A
Weight / Kilogram	0
Product Group	M06110
d_1	28.2 mm
B_4	4.5 mm
$r_{1,2}$ min.	0.6 mm
s_1	18.3 mm
Basic dynamic load rating C	10.8 kN
Basic static load rating C_0	6.55 kN
Fatigue load limit P_u	0.28 kN
Limiting speed ¹⁾	5000 r/min
Calculation factor f_0	13
Mass complete bearing	0.15 kg
Thread grub screw G_2	M6x0.75
Hexagonal key size for grub screw N	3 mm
Recommended tightening torque for grub screw	4 N · m
Rubber seating ring	RIS 204