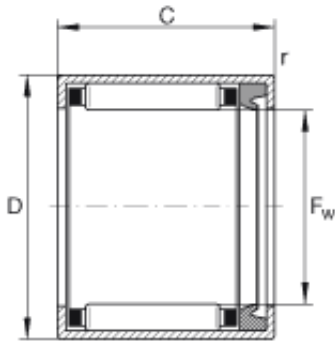




NTN DRIVESHAFT ANDERSON, INC.



INA HK2518-RS needle roller bearings

Bearing No. HK2518-RS

HK2518-RS Bearing 2D drawings and 3D CAD models

Size	25x32x18 mm
Bore Diameter	25 mm
Outer Diameter	32 mm
Width	18 mm
F_w	25 mm
D	32 mm
C - 18 mm / Tolerance: -0,3	18 mm / Tolerance: 0,3
r_{min}	0,8 mm
m	29 g / Weight
C_r	15600 N / Dynamic load rating (radial)
C_{Or}	24000 N / Static load rating (radial)
C_{ur}	3150 N / Fatigue limit load, radial
$n_{G\ Fett}$	7000 1/min / Limiting speed for grease lubrication
	LR20X25X20,5 / Suitable inner ring
	IR20X25X20,5 / Suitable inner ring
Category	Needle Non Thrust Roller Bearings
Inventory	0.0
Manufacturer Name	SCHAEFFLER GROUP
Minimum Buy Quantity	N/A
Weight / Kilogram	0
EAN	4012802338348



NTN DRIVESHAFT ANDERSON, INC.

Product Group	B04144
Rolling Element	Needle Roller Bearing
Component	Roller Assembly with Outer Ring - No Inner Ring
Enclosure	1 Seal
Self Aligning	No
Retainer	Yes
Number of Rows of Rollers	Single Row
Separable	No
Closed End	No
Inch - Metric	Metric
Relubricatable	No
Thrust Bearing	No
Long Description	25MM Bore; 32MM Outside Diameter; 18MM Width; Needle Roller Bearing; Roller Assembly with Outer Ring - No Inner Ring; 1 Seal; Not Self Aligning; Retainer; Single Row of Rollers; Not Separable; Not Clo
Other Features	2 Rib Outer Ring Drawn Cup Bearing Steel Cage
Category	Needle Non Thrust Roller Bearing
UNSPSC	31171512
Harmonized Tariff Code	8482.99.65.30
Noun	Roller Assembly with Outer Ring
Keyword String	Bearing Needle
Manufacturer URL	http://www.ina.com
Manufacturer Item Number	HK2518RS
Weight / LBS	0.064
Bore	0.984 Inch 25 Millimeter
Outside Diameter	1.26 Inch 32 Millimeter



NTN DRIVESHAFT ANDERSON, INC.

Width	0.709 Inch 18 Millimeter
-------	----------------------------