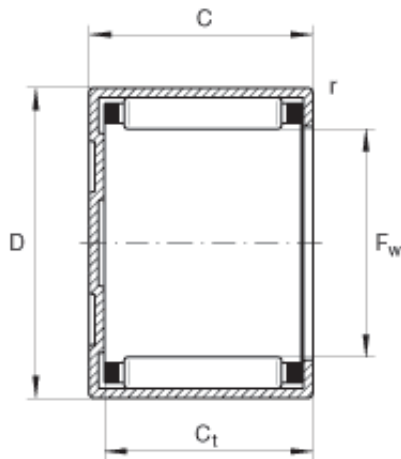




# NTN DRIVESHAFT ANDERSON, INC.



BK2526 Bearing 2D drawings and 3D CAD models

## INA BK2526 needle roller bearings

Bearing No. BK2526

Size	25x32x26 mm
Bore Diameter	25 mm
Outer Diameter	32 mm
Width	26 mm
$F_w$	25 mm
D	32 mm
C - 26 mm / Tolerance: -0,3	26 mm / Tolerance: 0,3
$C_{t\min}$	23,3 mm
$r_{\min}$	0,8 mm
m	48 g / Weight
$C_r$	25500 N / Dynamic load rating (radial)
$C_{0r}$	45000 N / Static load rating (radial)
$C_{ur}$	6200 N / Fatigue limit load, radial
$n_G$	10200 1/min / Limiting speed
$n_B$	6900 1/min / Reference speed
	LR20X25X26,5 / Suitable inner ring
	IR20X25X26,5 / Suitable inner ring
Category	Needle Non Thrust Roller Bearings
Inventory	0.0
Manufacturer Name	SCHAEFFLER GROUP



## NTN DRIVESHAFT ANDERSON, INC.

Minimum Buy Quantity	N/A
Weight / Kilogram	0.04
Product Group	B04144
Rolling Element	Needle Roller Bearing
Component	Roller Assembly with Outer Ring - No Inner Ring
Enclosure	Open
Self Aligning	No
Retainer	Yes
Number of Rows of Rollers	Single Row
Separable	No
Closed End	Yes
Inch - Metric	Metric
Relubricatable	No
Thrust Bearing	No
Long Description	25MM Bore; 32MM Outside Diameter; 26MM Width; Needle Roller Bearing; Roller Assembly with Outer Ring - No Inner Ring; Open Enclosure; No Self Aligning; Retainer; Single Row of Rollers; No Separable; C
Other Features	1 Rib Outer Ring   Drawn Cup Bearing   Steel Cage
Category	Needle Non Thrust Roller Bearing
UNSPSC	31171512
Harmonized Tariff Code	8482.40.00.00
Noun	Bearing
Keyword String	Needle
Manufacturer URL	<a href="http://www.ina.com">http://www.ina.com</a>
Manufacturer Item Number	BK2526
Weight / LBS	0.097
Bore	0.984 Inch   25 Millimeter



## NTN DRIVESHAFT ANDERSON, INC.

Outside Diameter	1.26 Inch   32 Millimeter
Width	1.024 Inch   26 Millimeter