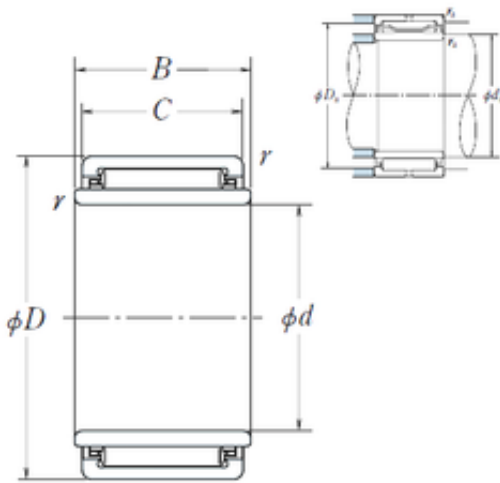




# NTN DRIVESHAFT ANDERSON, INC.



17 mm x 29 mm x 25,2 mm NSK LM2225  
needle roller bearings

Bearing No. LM2225

LM2225 Bearing 2D drawings and 3D CAD models

Size	17x29x25.2 mm
Bore Diameter	17 mm
Outer Diameter	29 mm
Width	25,2 mm
d	17 mm
Fw	22 mm
D	29 mm
B	25,2 mm
C	25 mm
r min.	0,5 mm
da min.	21 mm
Da max.	25 mm
ra max.	0,5 mm
Weight	0,068 Kg
Basic dynamic load rating (C)	21,3 kN
Basic static load rating (C0)	33,5 kN
(Grease) Lubrication Speed	10000 r/min
hidYobi	LM2225
LangID	1
D_	29
B_	25.2
hidTable	ecat_NSMRNR
GRS rpm	10000
ra	0.5
da_min	21



## NTN DRIVESHAFT ANDERSON, INC.

d2	17
C0	33.5
C1_	25
DE_	27
SLR	19.8
Prod_Type3	NRB_S_LM
DA_	2.5
Z_	18
SI	22
yobi	LM2225
da_max	25
OIL rpm	16000
SDM_	24.5
r	0.5
KBRG	8352
mass2	0.068
B1	25.2