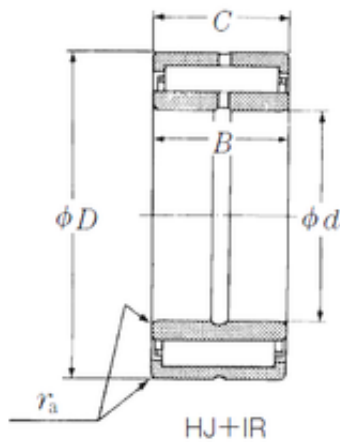




NTN DRIVESHAFT ANDERSON, INC.

23,812 mm x 41,275 mm x 25,4 mm NSK
HJ-182616+IR-151816 needle roller bearings



Bearing No. HJ-182616+IR-151816

Size	23.812x41.275x25.4 mm
Bore Diameter	23,812 mm
Outer Diameter	41,275 mm
Width	25,4 mm
d	23,812 mm
Fw	28,575 mm
D	41,275 mm
B	25,4 mm
C	25,4 mm
ra max.	1 mm
Weight	0,24 Kg
Basic dynamic load rating (C)	35,5 kN
Basic static load rating (C0)	51,5 kN

HJ-182616+IR-151816 Bearing 2D drawings and 3D CAD models