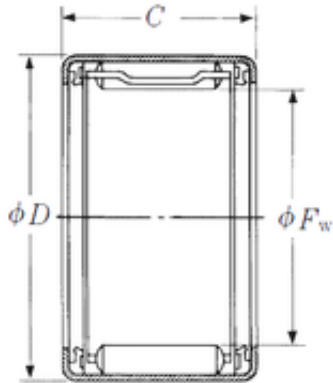




NTN DRIVESHAFT ANDERSON, INC.

NSK FJTT-2016 needle roller bearings



Bearing No. FJTT-2016

Size	20x26x16 mm
Bore Diameter	20 mm
Outer Diameter	26 mm
Width	16 mm
Fw	20 mm
D	26 mm
C	16 mm
Weight	0,017 Kg
Basic dynamic load rating (C)	8,15 kN

FJTT-2016 Bearing 2D drawings and 3D CAD models