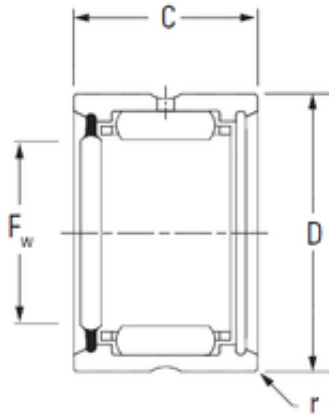




# NTN DRIVESHAFT ANDERSON, INC.

## KOYO HJ-122016RS needle roller bearings



Bearing No. HJ-122016RS

HJ-122016RS Bearing 2D drawings and 3D CAD models

Size	19.05x31.75x25.4 mm
Bore Diameter	19,05 mm
Outer Diameter	31,75 mm
Width	25,4 mm
Fw	19,05 mm
D	31,75 mm
C	25,4 mm
r5 min.	1,02 mm
Weight	0,08 Kg
Basic dynamic load rating (C)	20,7 kN
Basic static load rating (C0)	23,3 kN
Category	Needle Non Thrust Roller Bearings
Inventory	0.0
Manufacturer Name	KOYO
Minimum Buy Quantity	N/A
Weight / Kilogram	0.08
EAN	0060579021637
Product Group	B04144
Rolling Element	Needle Roller Bearing
Component	Roller Assembly with Outer Ring - No Inner Ring
Enclosure	1 Seal
Self Aligning	No
Retainer	Yes
Number of Rows of Rollers	Single Row



## NTN DRIVESHAFT ANDERSON, INC.

Separable	No
Closed End	No
Inch - Metric	Inch
Relubricatable	Yes
Thrust Bearing	No
Long Description	3/4" Bore; 1-1/4" Outside Diameter; 1" Width; Needle Roller Bearing; Roller Assembly with Outer Ring - No Inner Ring; 1 Seal Enclosure; No Self Aligning; Yes Retainer; Single Row of Rol
Other Features	2 Rib Outer Ring   Steel Cage   Heavy Duty   Oil Hole
Category	Needle Non Thrust Roller Bearing
UNSPSC	31171512
Harmonized Tariff Code	8482.40.00.00
Noun	Bearing
Keyword String	Needle
Manufacturer URL	<a href="http://www.koyousa.com">http://www.koyousa.com</a>
Manufacturer Item Number	HJ-122016RS
Weight / LBS	0.17
Bore	0.75 Inch   19.05 Millimeter
Outside Diameter	1.25 Inch   31.75 Millimeter
Width	1 Inch   25.4 Millimeter