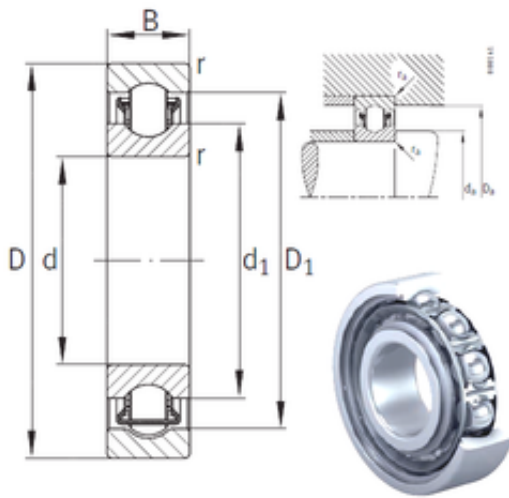




NTN DRIVESHAFT ANDERSON, INC.

30 mm x 62 mm x 16 mm INA BXRE206 needle roller bearings



Bearing No. BXRE206

Size	30x62x16 mm
Bore Diameter	30 mm
Outer Diameter	62 mm
Width	16 mm
d	30 mm
D	62 mm
B	16 mm
C	16 mm
d1	41,2 mm
r min.	1 mm
D1	52,2 mm
da min.	35,6 mm
Da max.	56,4 mm
ra max.	1 mm
Weight	0,206 Kg
Basic dynamic load rating (C)	28 kN
Basic static load rating (C0)	19,3 kN
Fatigue load limit (Pu)	930
Reference speed	8 100 r/min

BXRE206 Bearing 2D drawings and 3D CAD models