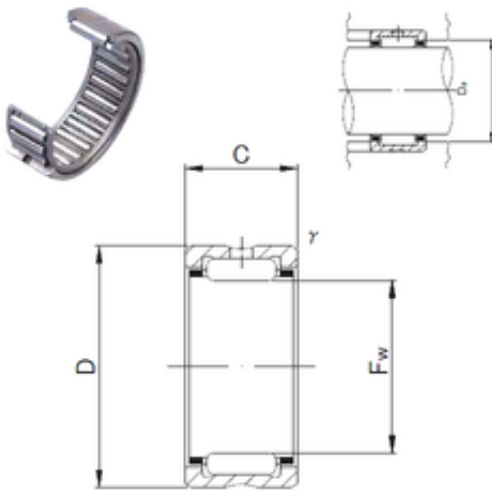




NTN DRIVESHAFT ANDERSON, INC.



JNS NK42/30 needle roller bearings

Bearing No. NK42/30

Size	42x52x30 mm
Bore Diameter	42 mm
Outer Diameter	52 mm
Width	30 mm
Fw	42 mm
D	52 mm
C	30 mm
r min.	0,3 mm
Da max.	50 mm
Weight	0,13 Kg
Basic dynamic load rating (C)	43 kN
Basic static load rating (C0)	89,5 kN

NK42/30 Bearing 2D drawings and 3D CAD models